

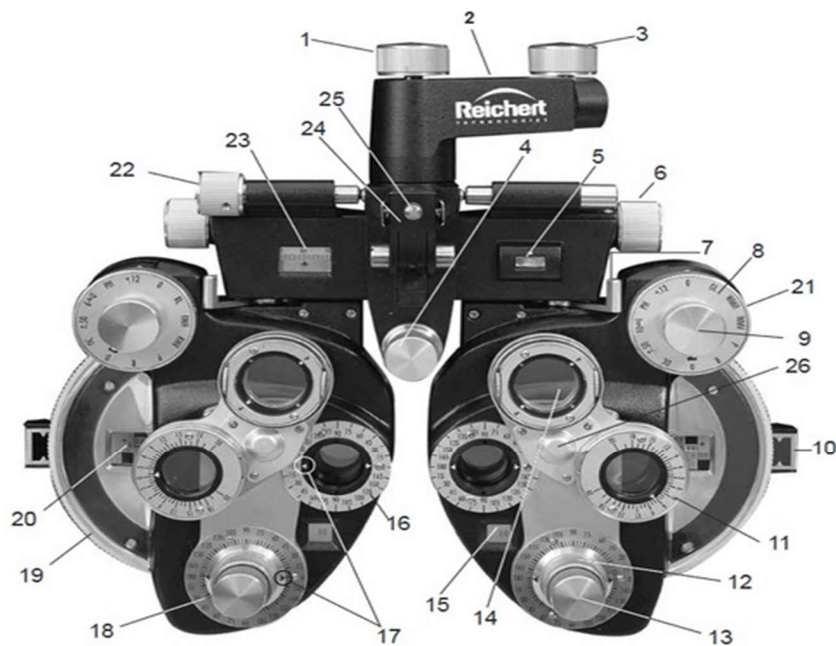
Phoropter Repair Request

Office: _____ Name: _____ Date: _____

Equipment serial number needing repair: _____

Describe the problem: _____

Please circle area on diagram:



Phoropter (Front)

- | | |
|-----------------------------|-----------------------------------|
| 1. Rotation Adjustment Knob | 14. Cross Cylinder Unit |
| 2. Mounting Bracket | 15. Cylinder Power Scale |
| 3. Tilt Clamp Knob | 16. Cylinder Axis Reference Scale |
| 4. Forehead Rest Knob | 17. Cylinder Axis Indicators |
| 5. Spirit Level | 18. Cylinder Axis Scale |
| 6. P.D. Knob | 19. Weak Sphere Dial |
| 7. Vergence Lever | 20. Sphere Power Scale |
| 8. Auxiliary Lens Scale | 21. Strong Sphere Control |
| 9. Auxiliary Lens Knob | 22. Leveling Knob |
| 10. Corneal Aligning Device | 23. P.D. Scale |
| 11. Rotary Prism Unit | 24. Reading Rod Holder |
| 12. Cylinder Axis Knob | 25. Reading Rod Clamp Screw |
| 13. Cylinder Power Knob | 26. Turret Assembly |